

Second Major(T-002)

- (1)Q0 What is the change in entropy of 200-g of water as its
002Q0 temperature increases from 0 degrees Celsius to
21Q0 50 degrees Celsius. [For water: the specific heat =
Q0 4.19 kJ/(kg.K) and the latent heat of fusion = 333 kJ/kg.]
Q0
A1 $1.41 \times 10^{**2}$ J/K.
A2 $0.35 \times 10^{**3}$ J/K.
A3 $4.19 \times 10^{**3}$ J/K.
A4 $3.35 \times 10^{**3}$ J/K.
A5 $2.55 \times 10^{**3}$ J/K.
Q0
- (2)Q0 An ideal engine absorbs heat at 527 degrees Celsius
002Q0 and rejects heat at 127 degrees Celsius. If it has to
21Q0 produce useful mechanical work at the rate of 750 Watts,
Q0 it must absorb heat at the rate of:
Q0
A1 1500 Watts.
A2 750 Watts.
A3 2250 Watts.
A4 527 Watts.
A5 375 Watts.
Q0
- (3)Q0 A heat engine has a monatomic gas as the working substance and
21 Q0 its operating cycle is shown by the P-V diagram in Figure 1.
992Q0 In one cycle, 18.2 kJ of heat energy is absorbed by the
002Q0 engine. Find the efficiency of the heat engine.
Q0
A1 0.44
A2 0.55
A3 0.31
A4 0.25
A5 0.22
Q0
- (4)Q0 A negative charge is placed at the center of a square. Each
002Q0 corner of the square has a fixed charge of $1.00 \times 10^{**(-6)}$ C.
22 Q0 If the resulting force acting on each charge is zero,
Q0 the magnitude of the negative charge is:
Q0
A1 $0.96 \times 10^{**(-6)}$ C.
A2 $9.60 \times 10^{**(-6)}$ C.
A3 $6.92 \times 10^{**(-6)}$ C.
A4 $0.69 \times 10^{**(-6)}$ C.
A5 $0.77 \times 10^{**(-6)}$ C.
Q0
- (5)Q0 Two neutral metal sphere are separated by 0.3 km. How much
002Q0 electric charge must be transferred from one sphere to the
22 Q0 other so that their electrical attraction is 10^{**3} N?
Q0
A1 0.1 C.
A2 0.2 C.
A3 0.4 C.
A4 0.6 C.
A5 0.9 C.
Q0
- (6)Q0 A point charge of 4.0 nano-C is located at a point having
23 Q0 coordinates (30.0 cm, 40.0 cm). At what point will the
992Q0 electric field be 72 N/C and pointing in the negative
002Q0 y-direction?

Q0
A1 (30.0, -30.7) cm
A2 (30.0, 49.9) cm
A3 (30.0, 70.7) cm
A4 (30.0, -49.9) cm
A5 (10.0, -89.9) cm
Q0

(7)Q0 An electric dipole consists of a positive charge of magnitude
002Q0 $6.0 \times 10^{(-6)}$ C at the origin and a negative charge of magnitude
002Q0 $6.0 \times 10^{(-6)}$ C on the x-axis at $x = 3.0 \times 10^{(-3)}$ m.
23 Q0 Its dipole moment is:
Q0
A1 $1.8 \times 10^{(-8)}$ C.m, in the negative x direction.
A2 $1.8 \times 10^{(-8)}$ C.m, in the positive x direction.
A3 Zero because the net charge is Zero.
A4 $1.8 \times 10^{(-8)}$ C.m, perpendicular to the x-axis.
A5 $3.6 \times 10^{(-8)}$ C.m, in the negative x direction.
Q0

(8)Q0 A charged particle has a mass of $2.0 \times 10^{(-4)}$ kg. If it is
002Q0 held stationary by a downward 300 N/C electric field, the
23 Q0 charge of the particle is:
Q0
A1 $-6.5 \times 10^{(-6)}$ C.
A2 $6.5 \times 10^{(-6)}$ C.
A3 $-1.5 \times 10^{(-6)}$ C.
A4 $1.5 \times 10^{(-6)}$ C.
A5 $-3.0 \times 10^{(-6)}$ C.
Q0

09 Q0 Two uniformly charged, concentric and hollow, spheres have
24 Q0 radii r and $1.5r$. The charge of the inner sphere is $q/2$ and
002Q0 that on the outer sphere is $3q/2$. Find the electric field at
Q0 a distance $2.0r$ from the center of the spheres.
Q0
A1 $0.5kq/(r^{**2})$.
A2 $0.13kq/(r^{**2})$.
A3 $0.25kq/(r^{**2})$.
A4 $0.35kq/(r^{**2})$.
A5 Zero.
Q0

10 Q0 An infinitely long line has a charge density of 7.6 nano-C/m.
24 Q0 Calculate the electric flux through a spherical surface of
992Q0 radius $R = 7.7$ cm whose center, C, lies on the line charge as
002Q0 shown in Figure 3.
Q0
A1 132 (N*m**2)/C.
A2 415 (N*m**2)/C.
A3 610 (N*m**2)/C.
A4 92.0 (N*m**2)/C.
A5 Zero.
Q0

11 Q0 Fig. 7 shows two parallel plates, infinite and non-conducting,
24 Q0 with surface charge densities of $8.9 \times 10^{(-4)}$ C/m**2 and
002Q0 $-8.9 \times 10^{(-4)}$ C/m**2. B, a ball with negligible mass, carries
Q0 a positive charge of $6.0 \times 10^{(-8)}$ C and is attached to point A
Q0 with a non-conducting string of length 10 cm. At equilibrium,
Q0 the tension in the string is:
Q0
A1 6.0 N.
A2 1.5 N.
A3 3.0 N.
A4 0.3 N.

A5 Zero.
Q0

12 Q0 A particle [$m = 8.0 \times 10^{(-9)}$ kg, $q = +6.0 \times 10^{(-9)}$ C] has
25 Q0 a speed of 80 m/s at point A and moves to point B where the
001Q0 potential is 2.0×10^{3} V greater than at point A. What is the
002Q0 particle's kinetic energy at point B? (Assume that only
Q0 electric forces act on the particle during its motion.)
Q0

A1 $14 \times 10^{(-6)}$ J.
A2 $38 \times 10^{(-6)}$ J.
A3 $10 \times 10^{(-6)}$ J.
A4 $28 \times 10^{(-6)}$ J.
A5 $40 \times 10^{(-6)}$ J.
Q0

13 Q0 In figure 2, four charges are fixed at the corners of a square
25 Q0 whose sides are of length d . The work done by an external agent
002Q0 to bring a fifth charge, Q , from infinity to the center of
Q0 the square is:
Q0

A1 $-2.8kqQ/d$.
A2 $1.4kqQ/d$.
A3 $2.8kqQ/d$.
A4 $-1.4kqQ/d$.
A5 $3.4kqQ/d$.
Q0

14 Q0 A charge q is located at the center of a circle with a large
25 Q0 radius R , see figure 4. Another charge Q is located on the
002Q0 circumference of the circle at the x -axis. What is the work,
Q0 in Joules, needed to move Q from its location to point F , on
Q0 the x -axis, along the circumference?
Q0

A1 Zero.
A2 $kqQ/(2R)$.
A3 kqQ/R .
A4 $2kqQ/R$.
A5 $kq/(2R)$.
Q0

15 Q0 Which of the following statements are CORRECT:
25 Q0 1. Electric charge is quantized.
002Q0 2. The potential at the center of a charged conductor is zero.
Q0 ->
Q0 3. If $E = 0$ at a point P then V must be zero at P .
Q0 4. The electric field inside a charged conductor is zero.
Q0 ->
Q0 5. If $V = 0$ at a point P then E must be zero at P .
Q0

A1 1 and 4.
A2 2 and 4.
A3 1, 2 and 3.
A4 1, 2, and 5.
A5 3 and 5.
Q0

16 Q0 The equivalent capacitance between points a and b in
002Q0 the combination of capacitors in figure 6 is:
26 Q0
Q0

A1 $1.0 \times 10^{(-6)}$ F.
A2 $2.0 \times 10^{(-6)}$ F.
A3 $1.5 \times 10^{(-6)}$ F.
A4 $0.5 \times 10^{(-6)}$ F.
A5 $3.0 \times 10^{(-6)}$ F.

Q0

17 Q0 A parallel-plate capacitor, of capacitance $1.0 \times 10^{(-9)}$ F,
002Q0 is charged by a battery to a potential difference of 12.0 volts.

26 Q0 The charging battery is then disconnected and oil with
Q0 dielectric constant = 4.0 fills the inside space between the
Q0 plates. The resulting potential difference, in volts, between
Q0 the plates is:

Q0

A1 3.
A2 12.
A3 48.
A4 $1.0 \times 10^{(-9)}$.
A5 $3.0 \times 10^{(-9)}$.

Q0

18 Q0 If V_{ab} is equal to 50 V, find the charge stored and the
26 Q0 potential difference across the 25 micro-F capacitor shown
991Q0 in Figure 5.

002Q0

A1 250 micro-C and 10 V.
A2 300 micro-C and 20 V.
A3 600 micro-C and 10 V.
A4 600 micro-C and 20 V.
A5 250 micro-C and 40 V.

Q0

19 Q0 If 110 Volts is applied to a wire, the current density is
27 Q0 $1.5 \times 10^{**6}$ A/m**2. If the resistivity of the wire is
002Q0 $48.2 \times 10^{**(-8)}$ Ohm.m, the length of the wire is:

Q0

A1 152 m.
A2 76 m.
A3 254 m.
A4 38 m.
A5 19 m.

Q0

20 Q0 At what temperature would the resistance of a conductor be
27 Q0 double its resistance at 30 degrees Celsius?

002Q0 [The temperature coefficient of resistivity of the conductor
Q0 is $2.0 \times 10^{**(-2)}$ K**(-1)]

Q0

A1 80 degrees Celsius.
A2 -20 degrees Celsius.
A3 20 degrees Celsius.
A4 50 degrees Celsius.
A5 60 degrees Celsius.

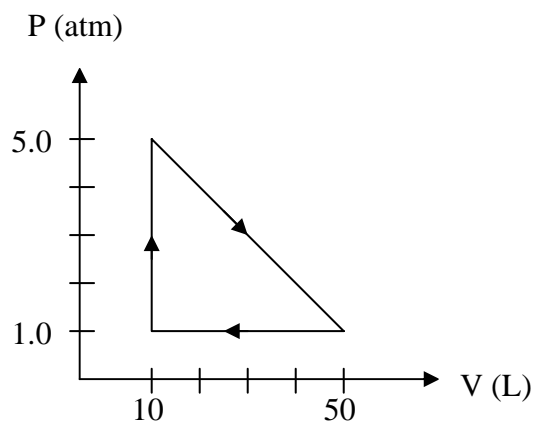


FIGURE 1

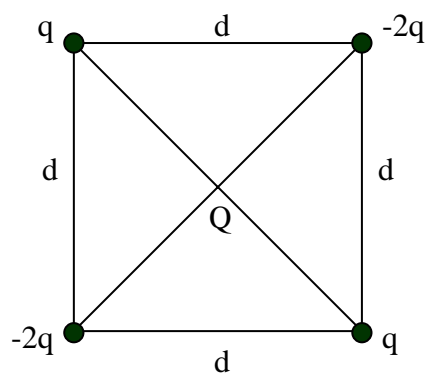


FIGURE 2

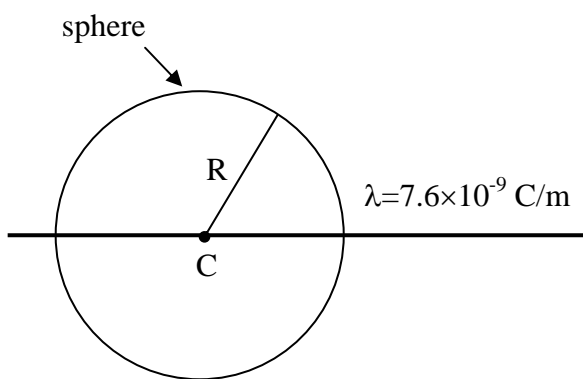


FIGURE 3

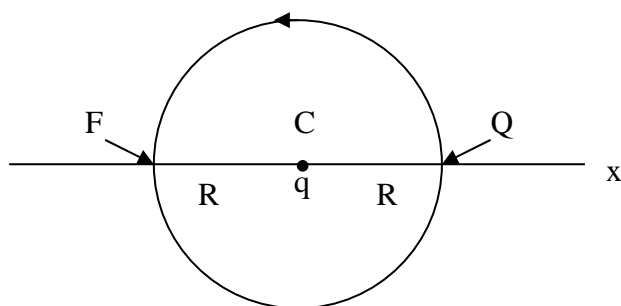


FIGURE 4

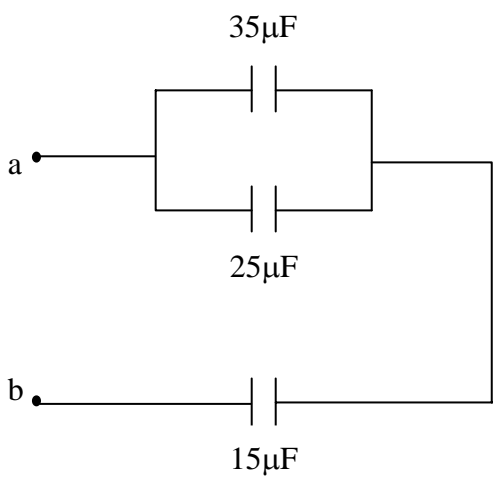


FIGURE 5

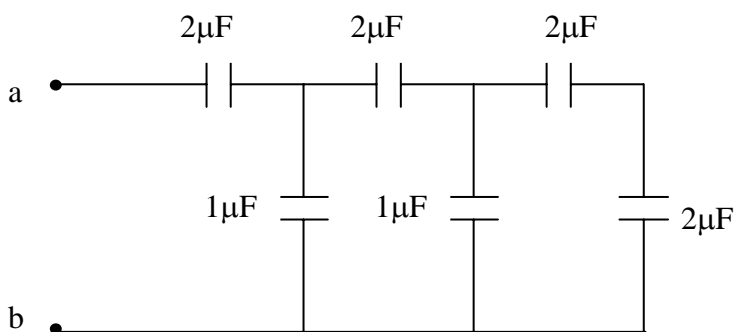


FIGURE 6

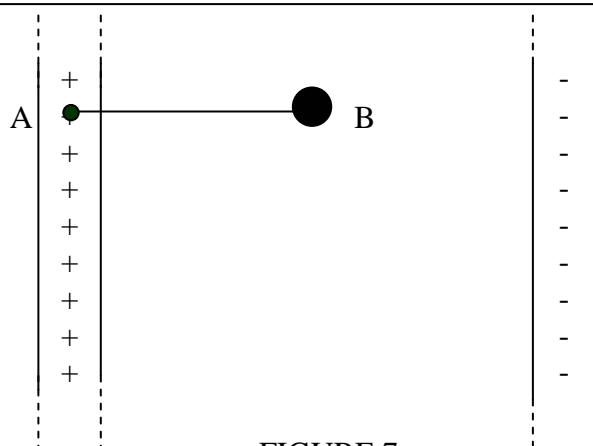


FIGURE 7